

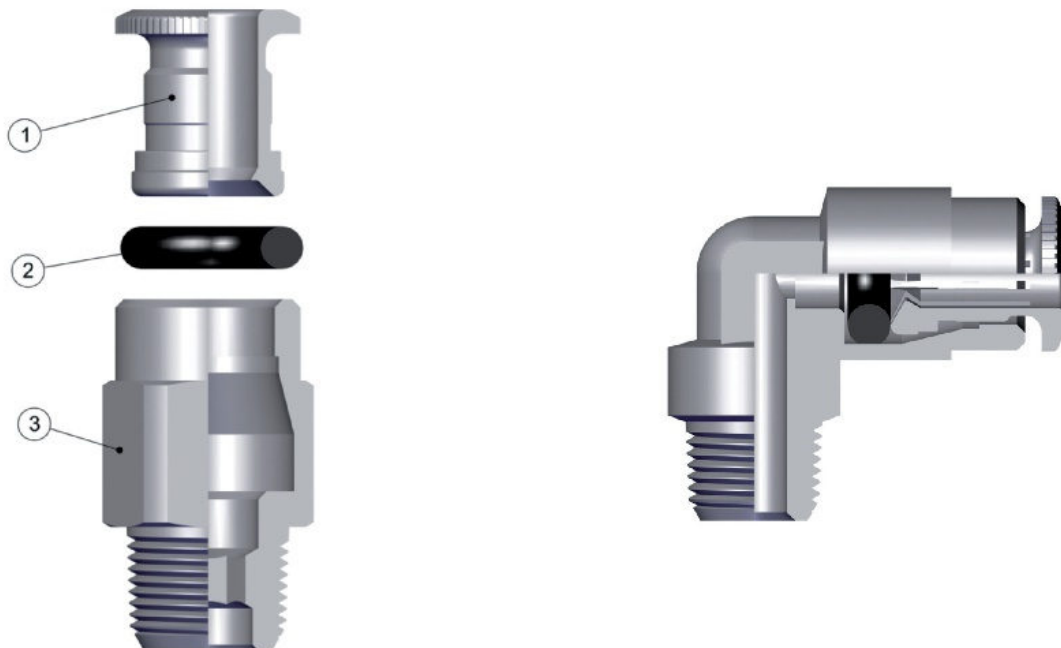


58000

# Serie 58000

**RACCORDI AUTOMATICI ALTA PRESSIONE**  
*HIGHT PRESSURE PUSH-IN FITTINGS*

## Caratteristiche Tecniche / Technical Characteristics



## Materiali e Componenti / Component Parts and Materials

- 1 Pinza in Ottone nichelato
- 2 Guarnizione O-Ring in HNBR
- 3 Corpo in Ottone nichelato

- 1 Nickel-plated Brass Collet
- 2 HNBR O-RING Seal
- 3 Nickel-plated Brass Body

## Pressioni / Pressures

Pressione minima / Minimum pressure: **0 bar (0 MPa)**

Pressione massima con fluidi : **150 bar (15 MPa)**  
Maximum pressure with fluids: 150 bar (15 MPa)

Pressione massima con aria: \* **30 bar (3 MPa)**  
Maximum pressure with air: \* 30 bar (3 MPa)

## Temperature / Temperatures

Temperatura minima / Minimum temperature: **- 30 °C**  
Temperatura massima / Maximum temperature: **+150 °C**

## Filettature / Threads

Gas conica conforme ISO 7.1, BS 21, DIN 2999 / Tapered gas in conformity with ISO7.1, BS 21, DIN 2999.  
Metrica conica conforme UNI 7707 / Metric Tapered in conformity with UNI 7707.

## Tubi di collegamento / Connection Tubes

Tubi in materiale plastico:  
PA6, PA66 per Alta Pressione.

\* PA6, PA66, PA11, PA12, Polietilene, Poliuretano, PEF, PTFE.

Plastic tubes:  
PA6, PA66 for Hight Pressure.

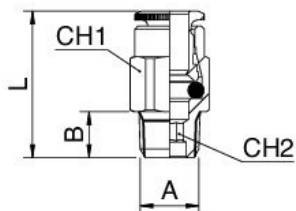
\* PA6, PA66, PA11, PA12, Polyethylene, Polyurethane PEF, PTFE.

## Fluidi compatibili / Fluids

Olio / Oil  
Acqua / Water  
Grasso / Grease

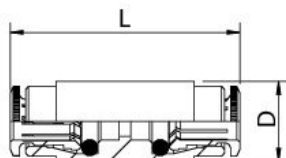
\* Aria compressa / Compressed air.

# 58000

**RACCORDO DIRITTO MASCHIO CONICO - STRAIGHT MALE ADAPTOR (TAPER)**


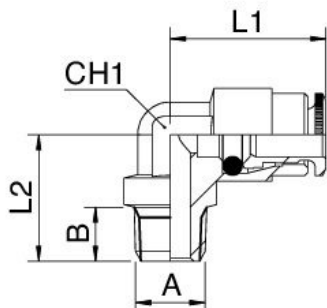
Codice Code	Tubo Tube	A	B	L	CH1	CH2	Conf. Pack.
580000001	4	M6x1	6	22	10	2.5	25
580000002	4	M8x1	6	20	10	3	25
580000003	4	M10x1	6.5	20	10	3	25
580000004	4	1/8	7.5	21	10	3	25
580000005	6	M6x1	6	24.5	12	2.5	25
580000006	6	M8x1	6	24.5	12	3	25
580000007	6	M10x1	6.5	21.5	12	3	25
580000008	6	1/8	7.5	23	12	3	25

# 58040

**RACCORDO DIRITTO INTERMEDIO - STRAIGHT CONNECTOR**


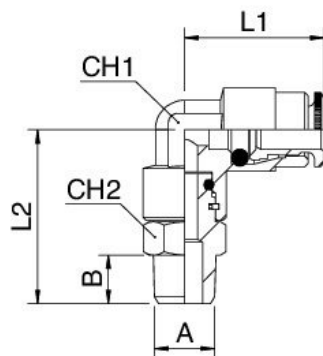
Codice Code	Tubo Tube	L	D	Conf. Pack.
580400001	4	34.5	11	25
580400002	6	37.5	13	25

# 58100

**RACCORDO A L MASCHIO CONICO - ELBOW MALE ADAPTOR (TAPER)**


Codice Code	Tubo Tube	A	B	L1	L2	CH1	D	Conf. Pack.
581000001	4	M6x1	6	18	15	8	10.5	25
581000002	4	M8x1	6	18	15	8	10.5	25
581000003	4	M10x1	6.5	18	15	8	10.5	25
581000004	4	1/8	7.5	18	15	8	10.5	25
581000005	6	M6x1	6	21	17	10	13	25
581000006	6	M8x1	6	21	17	10	13	25
581000007	6	M10x1	6.5	21	17	10	13	25
581000008	6	1/8	7.5	21	17.5	10	13	25

# 58111

**RACCORDO A L ORIENTABILE MASCHIO CONICO - ORIENTING ELBOW MALE ADAPTOR (TAPER)**


Codice Code	Tubo Tube	A	B	L1	L2	CH1	CH2	D	Conf. Pack.
581110001	4	M6x1	6	18	22.5	8	11	10.5	25
581110002	4	M8x1	6	18	22.5	8	11	10.5	25
581110003	4	M10x1	6.5	18	22.5	8	11	10.5	25
581110004	4	1/8	7.5	18	24	8	11	10.5	25
581110005	6	M6x1	6	21	25.5	10	11	13	25
581110006	6	M8x1	6	21	25.5	10	11	13	25
581110007	6	M10x1	6.5	21	22.5	10	11	13	25
581110008	6	1/8	7.5	21	27	10	11	13	25